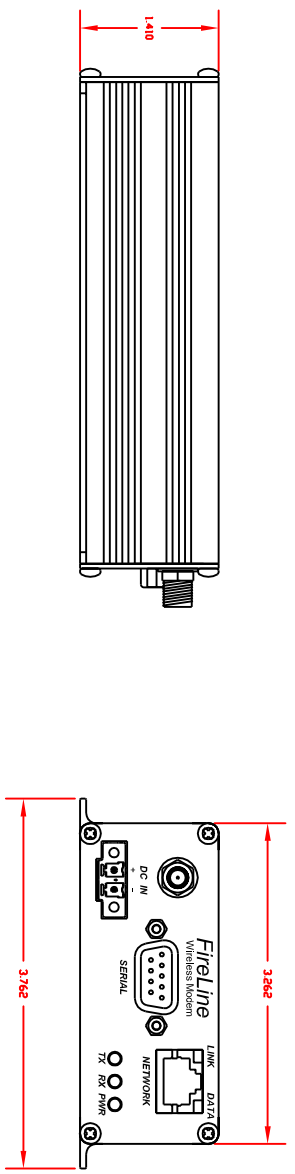
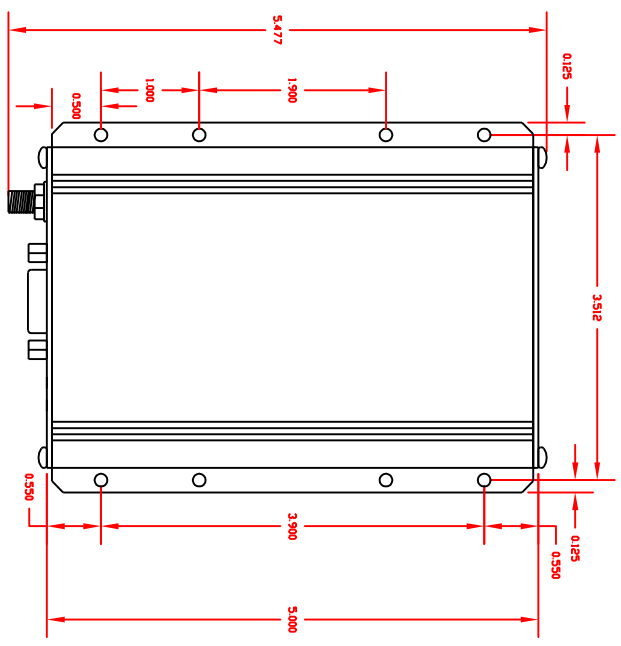


Notes: Unless otherwise specified

REVISIONS				
ZONE	REV	DESCRIPTION	DATE	APPROVED
	A0	Initial Release	24 JAN 07	JS
	A1	Added DIN mounting holes	29 JAN 07	JS



Material: N/A		Raycon Technologies Corp. 2722 La Mirada Drive Suite C Visita, CA 92081	
Finish: N/A			
Tolerances: ±0.02"			
Drawn By: MDG			
Checked By:			
Approved By:			
TITLE		Assy, Ethernet Fireline, 2W	
SIZE	FSUM NO.	DWG NO.	RV-M5
C			A1
SCALE 1:1		SHEET 1 of 1	

4

4

3

3

2

2

1

1

A

B

C

D

A

B

C

D